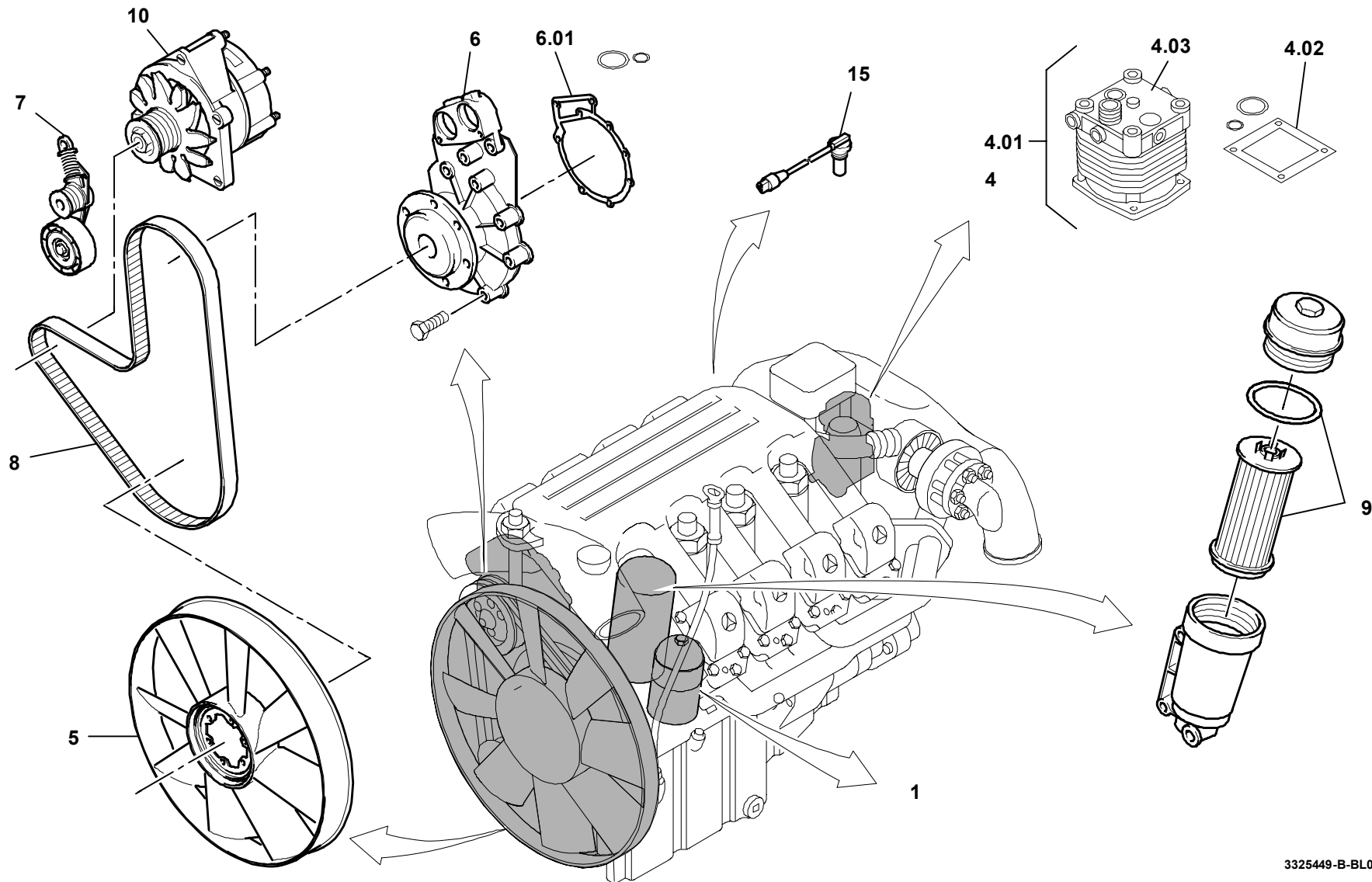


GROVEDIESELMOTOR
DIESEL ENGINEBILDТАFЕL
PICTORIAL DISPLAYGMK 6300
BE 506
G 631

01.06

3325449-ETL B

1/2



GROVEDIESELMOTOR
DIESEL ENGINEBILDTADEL
PICTORIAL DISPLAY

01.06

3325449-ETL B

2/2

**GMK 6300
BE 506
G 631**